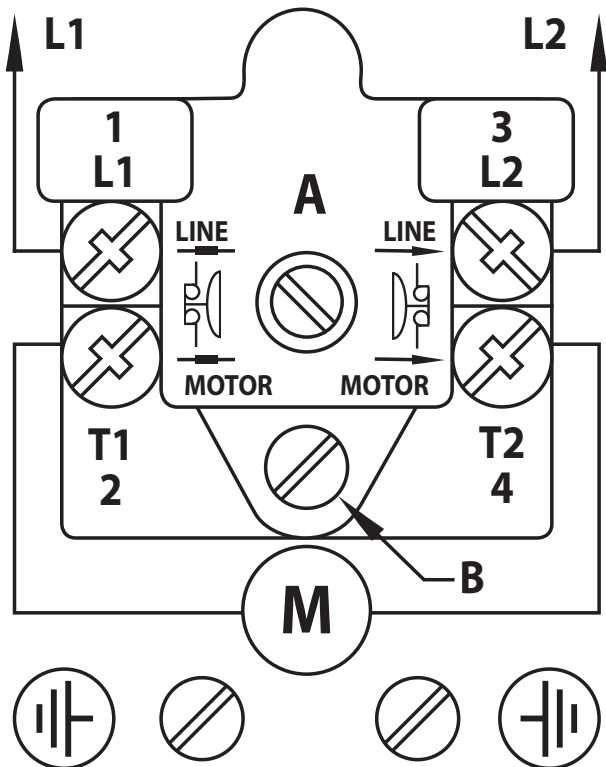


SWAN White Compressors

Cut-In and Cut-Out Pressure Adjustment



POWER SUPPLY



Main Spring Adjustmet Screw A

- Turn Clockwise to increase both Cut-In and Cut-Out pressure.

Differential Pressure Adjustment Screw B

- Turn Clockwise to increase Cut-In pressure without affecting Cut-Out.

MIN ON **50** PSI

MAX OFF **145** PSI Enclosed Type 1

Factory Default Settings

ON **86** PSI

OFF **115** PSI

1 Ph (Hp)		3 Ph (Hp)		DC (Hp)		
120V	240V	240V	600V	32V	120V	240V
1 1/2	2	3	-	-	-	-