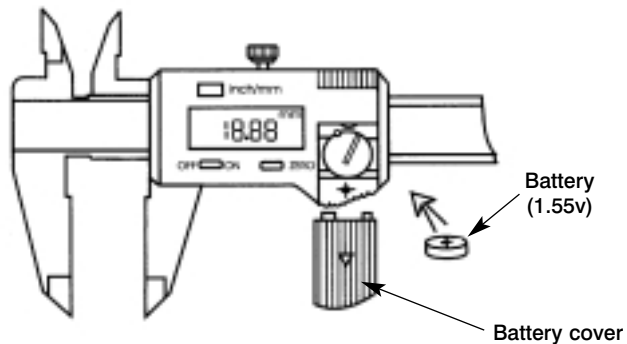


## Battery Replacement

When the display flashes the battery needs replacing. Slide off the battery cover and fit a new battery, Type SR44 or equivalent, with the positive side upwards. Follow the handling and disposal instructions supplied with the new battery. If the display is incorrect after fitting a new battery, remove it, wait for a minimum of 30 seconds and replace.



## Trouble Shooting

Problem	Cause	Remedy
Display flashes about once every second	Battery voltage low	Replace battery.
Display does not change when slider is moved	Problem in circuit	Remove battery and replace after minimum of 30 seconds.
No display on LCD contacts	1. Battery contacts dirty	1. Remove battery and clean with dry cloth.
	2. Battery voltage low	2. Replace battery.

**AXMINSTER**  
POWER TOOL CENTRE

Axminster Devon EX13 5PH UK  
**01297 33656**  
(International Dialling +44 1297 33656)

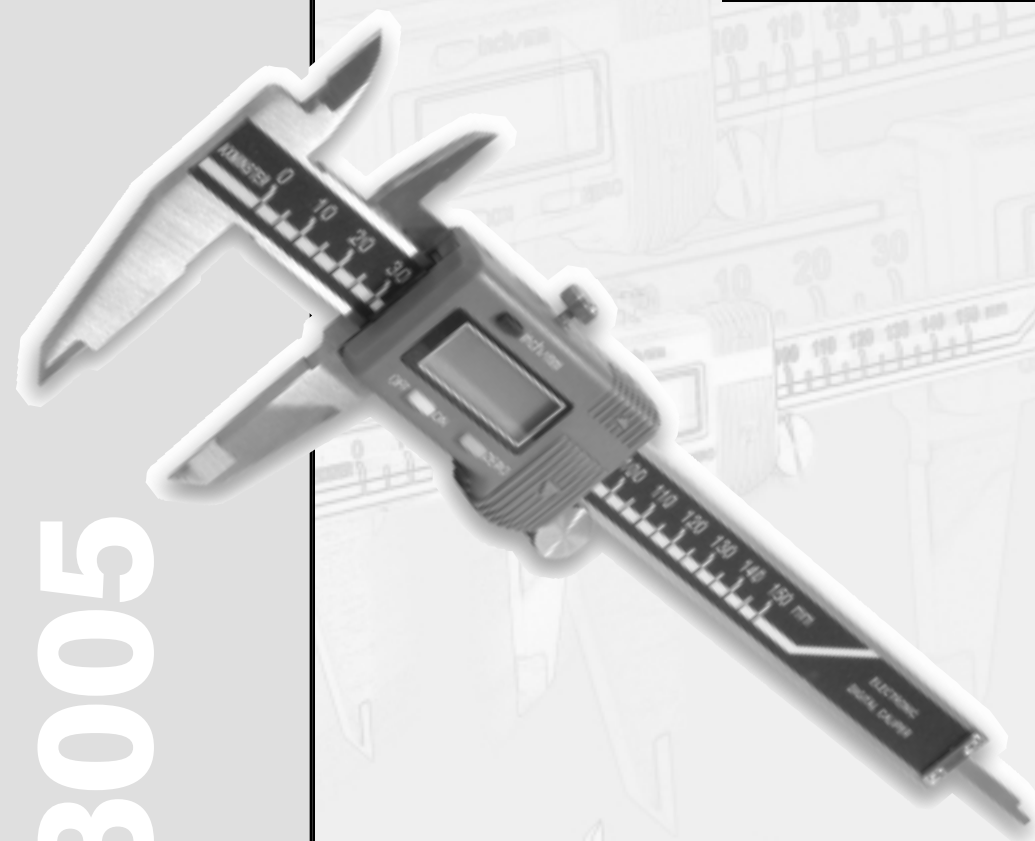
[www.axminster.co.uk](http://www.axminster.co.uk)

**AXMINSTER**  
POWER TOOL CENTRE

388005

# Digital Electronic Caliper

User Manual



388005

## Introduction

The Axminster 150mm Electronic Digital Caliper is a precision made measuring device, suitable for use in any situation where fast and accurate measuring is required. It offers a high level of accuracy combined with ease of operation and a high visibility digital display with touch-of-a-button zeroing and inch/metric conversions.

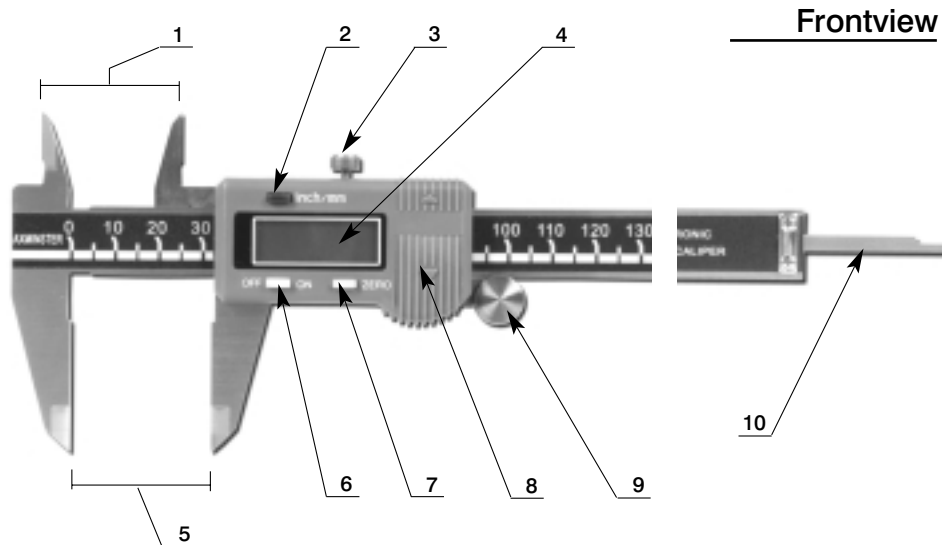
## Technical Specification

<b>Measuring Range:</b>	<b>0-155mm (0-6.1")</b>
<b>Resolution</b>	<b>0.01mm (0.0005")</b>
<b>Accuracy</b>	<b>+/- 0.03mm (0.001")</b>
<b>Repeatability</b>	<b>0.01mm (0.0005")</b>
<b>Measuring Method</b>	<b>Linear capacitance</b>
<b>Display Type</b>	<b>LCD</b>
<b>Power Source</b>	<b>One 1.55v button cell</b>

## Parts Identification

- |                                  |                           |
|----------------------------------|---------------------------|
| 1. Internal measuring jaws       | 6. On/off button          |
| 2. Inch/metric conversion button | 7. Zero setting button    |
| 3. Locking screw                 | 8. Battery cover          |
| 4. LCD display                   | 9. Adjusting wheel        |
| 5. External measuring jaws       | 10. Depth measuring probe |
|                                  | 11. Step measuring faces  |

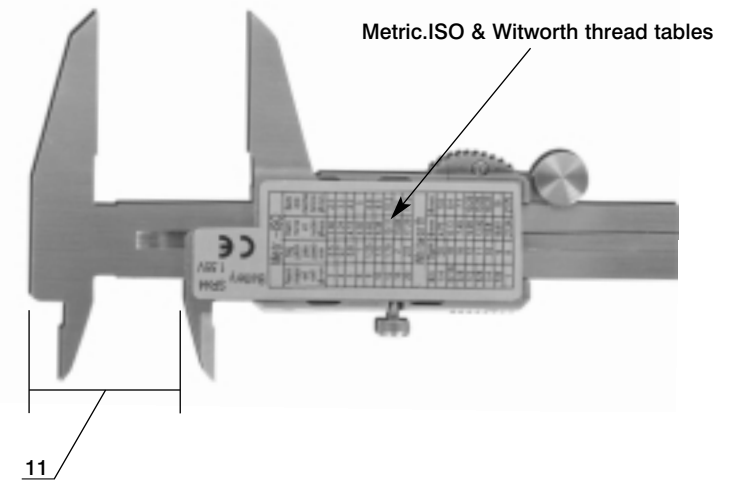
## Illustration of the Tool



Frontview

## Illustration of the Tool continued

## Backview



## Operating instructions

Slacken off the locking screw (3)

Wipe the measuring faces and the bar of the caliper with a dry cloth; do not use any organic solutions.

Check that the buttons, switches and digital display are all working properly.

Switch the unit on and select inch or metric measurements as required.

Close the jaws together and check that display reads zero; if not, press the zeroing button.

When measuring, do not use excessive force on the jaws as this may distort the calipers and produce an inaccurate result.

The thumb wheel and locking screw can be used to accurately set the measuring head to any required dimension.

## Maintenance

Clean the caliper bar with a dry cloth prior to use, moisture can affect the accuracy of measurement.

The caliper, and in particular the measuring faces, should be cleaned regularly with a clean cloth.



**Do not use any solvents, just a dry cloth.**

Turn the power off when not in use in order to save battery power.



**Do not bring the calipers into contact with any source of electricity, apart from the approved battery, as this may damage the chip.**



**Do not use an electrical engraver to mark the instrument.**